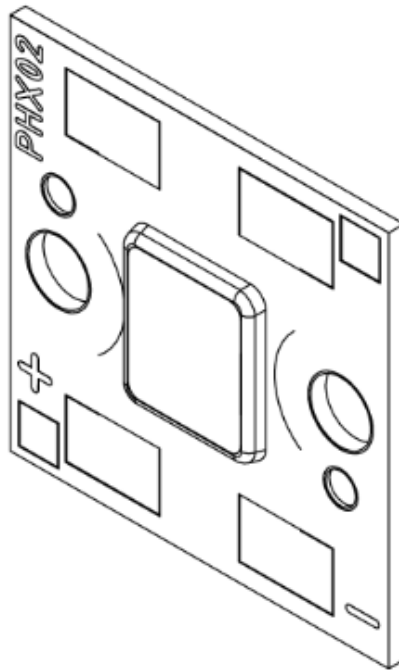


IRCOB9-2020-940-60-001



IRCOB9-2020-940-60-001

940nm HIGH POWER LED



Features

- Chip size : 1.0×1.0mm
- Number of Chips : 9pcs
- Peak Wavelength : 940nm
- Optical efficiency (typ.) : 6100mW
- Viewing half angle : 60°
- Package : Copper substrate
- Lens : Silicone Resin

Applications

- Machine Vision System
- Light source for in-vehicle camera
- Infrared data communication

Maximum Ratings (Tc=25°C)

Parameter	Symbol	Values	Unit
Power Dissipation	P_D	34	W
Forward Current	I_F	1	A
Reverse Voltage	V_R	5	V
Junction Temperature	T_j	115	°C
Operating Temperature	T_{opr}	-40~85	°C
Storage Temperature	T_{stg}	-40~85	°C
Thermal Resistance	R_{thja}	2.0	K/W

※Soldering condition : Soldering condition must be completed with 10 seconds at below 260°C

Optical and Electrical Characteristics (Tc=25°C)

Parameter	Symbol	Min	Typ	Max	Unit	Test Condition
Forward Voltage	V_F	22	28	34	V	$I_F=1A$
Radiated Power	P_O		6100		mW	$I_F=1A$
Peak Wavelength	λ_p		940		nm	$I_F=1A$
Half Width	$\Delta \lambda$		46		nm	$I_F=1A$
Viewing Half Angle	$\theta_{1/2}$		± 60		deg	$I_F=1A$

Outline

